

## In-ceiling Mount Bracket



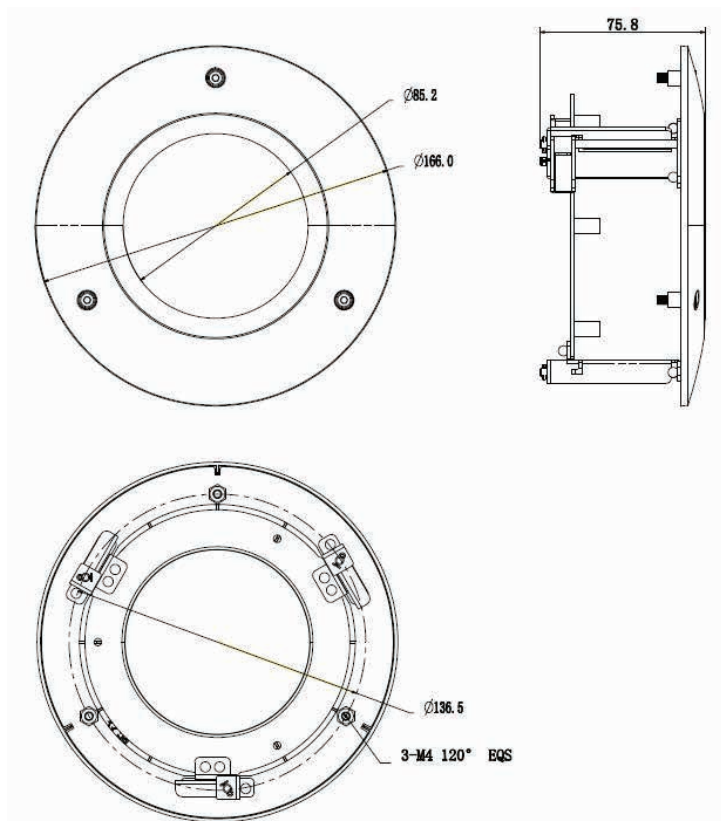
### Features

- Material: SECC & PC
- Junction Box Neat &
- Integrated design

### Specifications

Model	E-B200-FM
General	
Material	SECC & PC
Dimension	Φ166.0x75.8mm
Inch Thread	G3/4"
Operating Temperature	-40°C ~60°C
Humidity	0~90% RH
Load Bearing	1.0Kg
Weight	0.32Kg
Color	White
Applicable Model	Please see "Accessory Selection"

## Dimensions (mm)



## Application

