
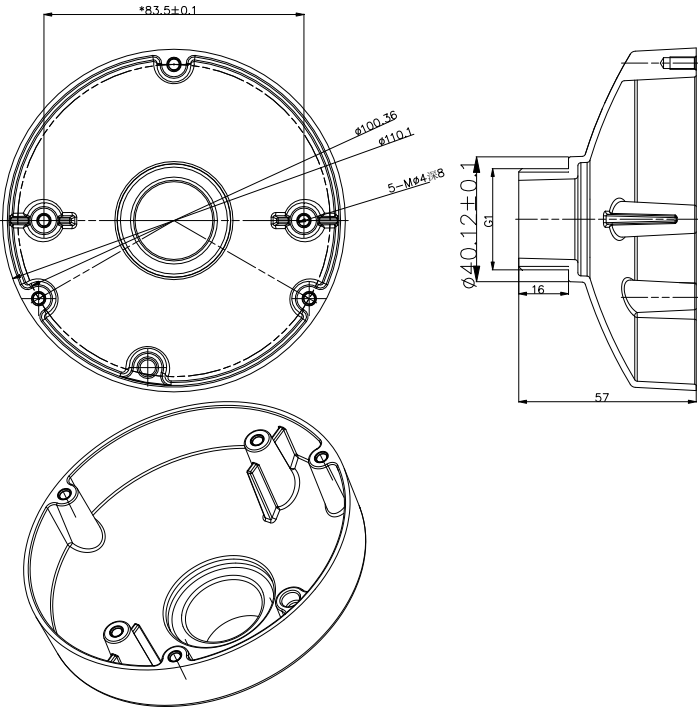


A-MWM-MINI

Product	
Model Number	A-MWM
Model Name	Wall Mount
Use	Suitable for various pendant caps
Construction	Aluminum alloy
Dimensions	123mm x 181mm x 193mm / 4.84in x 7.13in x 7.60in
Weight	1075g / 2.37lbs

Note:

- Pay attention to color matching
- The bracket should be installed on flat wall
- The wall must be capable of supporting over 3 times as much as the total weight of the camera and the mount.
- The load capacity of the bracket is over 5KG or 11lbs

Product	
Model Number	A-34-Cap Metal
Model Name	Mini Cap
Use	A-14, A34, A34W
Construction	Aluminum alloy
Dimensions	110mm x 57mm / 4.33in x 2.24in
Weight	132g / .29lbs
Dimensions	

Note

- Pay attention to color matching
- The bracket should be installed on flat wall
- The wall must be capable of supporting over 3 times as much as the total weight of the camera and the mount.
- The maximum load capacity of the bracket is 5KG or 11lbs