
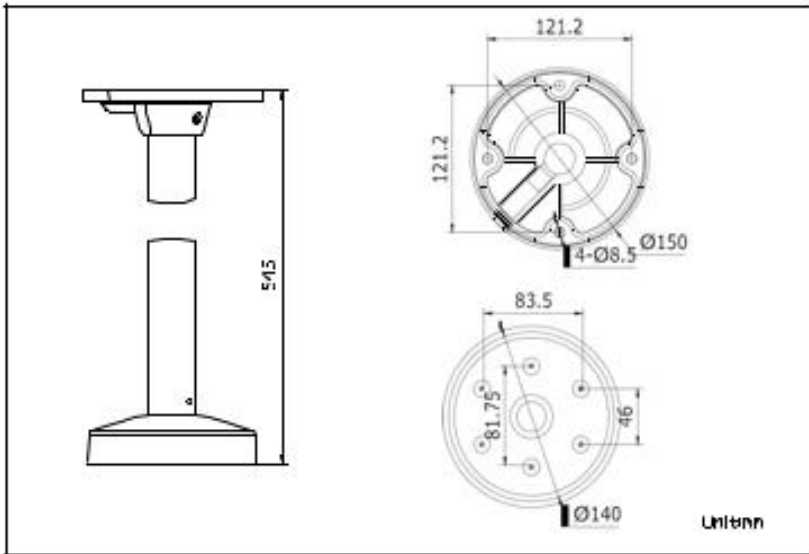


Product Image	
Model	A-44-PM
Type	Pendant Mount for Dome Camera
Camera Models Supported	A-44, A-44-IR
Construction	Aluminum alloy
Weight	2.5kg(5.51lbs)
Dimensions	150×545mm (5.91"×21.46")
Drawing	 <p> The drawing includes a side view on the left showing a total height of 545 mm. On the right, there are two top views. The upper top view shows a circular mounting plate with an outer diameter of 121.2 mm and four mounting holes, each with a diameter of 8.5 mm. The lower top view shows a circular base with an outer diameter of 140 mm, an inner diameter of 81.75 mm, and a central hole with a diameter of 46 mm. The manufacturer's name 'Linfenn' is located in the bottom right corner of the drawing area. </p>