
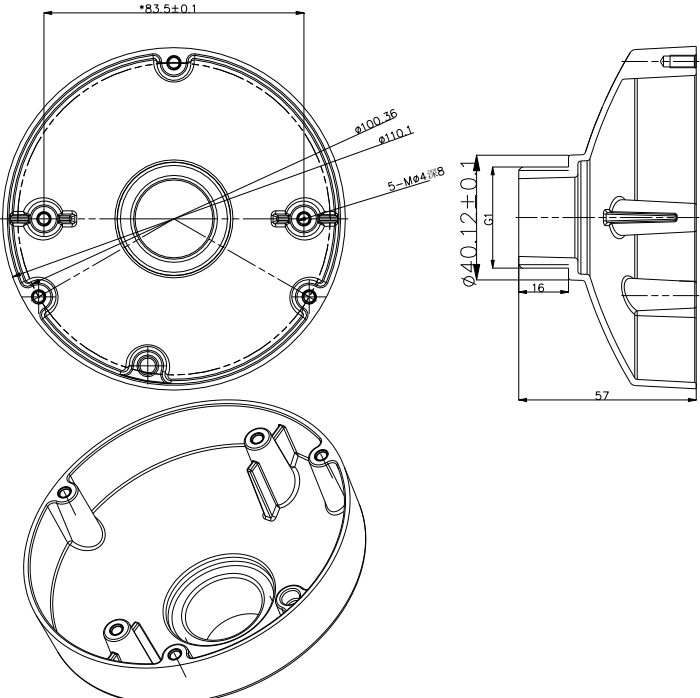


A-34-Cap Metal

Product	
Model Number	A-34-Cap Metal
Model Name	Mini Cap
Use	A-14, A34, A34W
Construction	Aluminum alloy
Dimensions	110mm x 57mm / 4.33in x 2.24in
Weight	132g / .29lbs
Dimensions	

Note

- Pay attention to color matching
- The bracket should be installed on flat wall
- The wall must be capable of supporting over 3 times as much as the total weight of the camera and the mount.
- The maximum load capacity of the bracket is 5KG or 11lbs