

# PWM485S

# Wall Mount and Pendant Shroud Adapter

## PRODUCT FEATURES

- Wall or pendant mount for Panasonic camera models: WV-SFV6xxx, WV-SFV5xxx, WV-SFV3xxx, WV-CW6xx, WV-S25xxx
- Durable solid aluminum construction
- 1 1/2" NPT thread for easy wall/pendant mounting
- Wall mount bracket with built-in easy access cable and storage area
- Indoor or outdoor use
- Color: Pantone Gray

## CONFIGURATIONS

Part#	Description
PS485S	Pendant shroud
PWM485S	Pendant shroud with wall bracket
PCM485S	Pendant shroud with wall mount bracket and corner mount
PPM485S	Pendant shroud with wall mount bracket and pole mount

Note: Mounting hardware is included with all of the kits and mounting options listed in this document. Included hardware does not include fasteners or anchors for mounting to the wall itself.

### PWM485S—Wall Mount Kit



### Wall Mount Kit Mounting Options

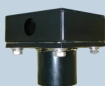
PCM485S—Corner Mount Kit



PPM485S—Pole Mount Kit



PPMF12D—Pendant Mount Adapter



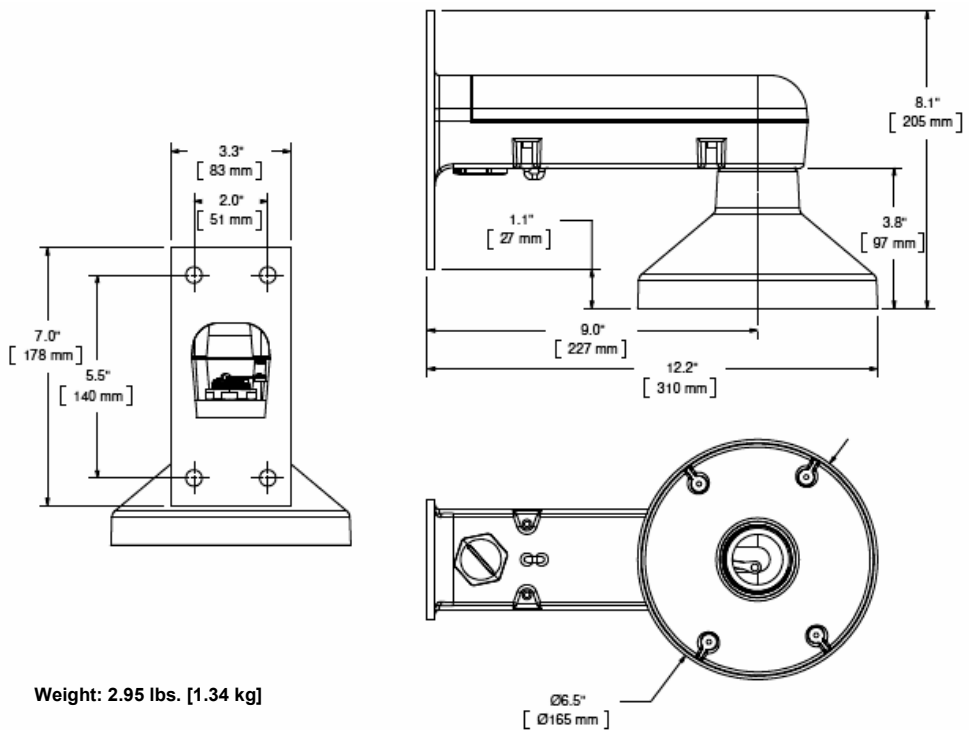
Product specifications are subject to change without notice.  
© Panasonic System Solutions Company. All rights reserved.



## DESCRIPTION

The PWM485S is a clean and attractive pendant style wall mount solution. The wall mount and pendant shroud are constructed with cast aluminum and the mount is equipped with an easy access compartment for cabling and storage. This feature simplifies the installation process and provides additional space for cabling components and wire terminations. Kits are available to tailor the adapter to a wide variety of mounting requirements and deployment situations. Compatible camera models include WV-SFV6xxx, WV-SFV5xxx, WV-SFV3xxx, WV-CW6xx, WV-S25xxx.

## DIMENSIONS



Weight: 2.95 lbs. [1.34 kg]

DISTRIBUTED BY: Panasonic System Solutions Company  
Unit of Panasonic Corporation of North America Security Systems  
Two Riverfront Plaza, Newark, NJ 07102-5490

For Service Support  
1-847-888-7000  
Heartland Services  
1615 Dundee Ave., Dock G  
Elgin, IL 60120-1620

For Technical Support  
1-800-528-6747  
psditech@us.panasonic.com

For More Information  
Contact us @ 1-877-803-8492  
us.panasonic.com/security  
B2BSales@us.panasonic.com