

Sunshield:  
The POH1100 **(not included)**

POH1100BH, POH1100NWM,  
POH1100NWME **(included)**

## POH1100, POH1100HB, POH1100NWM & POH1100NWME

# Rugged Outdoor Fixed Camera Housing

- Meets NEMA Type 4X and IP66 standards
- IK10 impact rated
- Accommodates wide-angle lenses up to 135°
- Hinged wall mount allows for easy installation
- Standard wall / pole mount
- Built-in thermostatically controlled H&B (POH1100HB, POH1100NWM & POH1100NWME)
- Intelligent PoE input power models available (POH1100NWM & POH1100NWME)
  - Supports all Panasonic PoE Plus IEEE802.3at compliant cameras
  - True PoE power to the camera (no splitter needed)
  - Automatically adjusts for power loss in long cable runs
  - Dynamic Power Allocation ensures maximum power to the camera by constantly monitoring the environmental conditions
  - Includes 30W PoE Midspan (POH1100NWM model only)
- 24VAC input power with 24VAC or 12VDC power to camera (POH1100HB)



# Bid Specifications

The POH1100 series of environmental rugged camera housings are designed specifically for the follow Panasonic camera models: **POH1100:** *Analog:* WV-CP620 / 624 / 600 / 304 / 314 / 300 / 310 / 500 / 500L / 504 / 504L / 290 / 294 / 280 / 284 / 480 / 484 *Network:* WV-SP509 / 508 / 105 / 102 / 306 / 305 / 302 & WV-NP502 / 304 **POH1100HB:** *Analog:* WV-CP620 / 624 / 600 / 304 / 314 / 300 / 310 / 500 / 500L / 504 / 504L / 290 / 294 / 280 / 284 / 480 / 484 *Network:* WV-SP509 / 508 / 105 / 102 / 306 / 305 / 302 & WV-NP502 / 304 **POH1100NWM:** *Network:* WV-SP509 / 508 / 105 / 102 / 306 / 305 / 302 & WV-NP502 / 304 **POH1100NWME:** *Network:* WV-SP509 / 508 / 105 / 102 / 306 / 305 / 302 & WV-NP502 / 304

The housing is constructed of impact resistant polycarbonate and has a wall / pole mount comprised of cast aluminum with a durable powder coat finish. The wall / pole mount comes equipped with a 3/4" (21mm) conduit knockout and features a feed-thru cable design. The housing is designed with installers in mind with the following features: Side hinge for easy lens adjustment; tool free snap in camera tray, back hinge break-away mount to allow cable pass-thru; notched mount for pole mount with banding straps (not included); enhanced airflow design to eliminate service calls by providing heating/cooling to the temperature sensitive camera components; and IP66 ingress protection to eliminate water ingress.

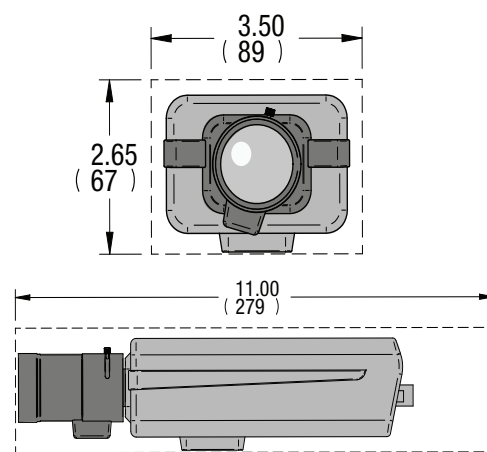
The patented Dynamic Power Allocation (DPA) PoE technology reduces installation times by simplifying the wiring needs and prioritizing the power to the camera. Rather than a PoE splitter DPA constantly monitors the camera and peripheral components to optimize the power consumption on an as needed basis. Available in the POH1100NWM and POH1100NWME models.

## Specifications

ELECTRICAL SPECIFICATIONS						
Input Voltage	PoE (IEEE802.3at) or 12/24v input model					
Power Consumption						
24VAC	27 watts: Heater & Blower (POH1100HB)					
12VDC	10 watts: Heater & Blower (POH1100HB)					
PoE	25 watts: Camera, Blower & Heater (POH1100NWM & POH1100NWME)					
Power Output	24Vac or 12Vdc power to the camera (POH1100HB) PoE IEEE802.3af compliant Panasonic cameras (POH1100NWM & POH1100NWME)					
GENERAL SPECIFICATIONS						
Product Dimensions	17.9" x 5.7" x 10.5" (455 x 145 x 267mm)					
Product Weight	4.5 Lbs. (2.04 kg)					
Enclosure Construction						
Body and Top	Polycarbonate					
Mounting Bracket	Cast aluminum					
Window	Scratch resistant polycarbonate					
Mounting Pattern	2" x 4.25" (51 x 108mm)					
Mounting Style	Wall or pole					
Maximum Camera Length	11" (280mm)					
Camera Included	No					
Shipping						
Weight	6.5 Lbs (2.72 kg)					
Box Dimensions	8.25" x 11.75" x 19.5" (209 x 298 x 495mm)					
ENVIRONMENTAL SPECIFICATIONS						
Operating Temperature	-50°F to 122°F (-45°C to 50°C)					
Heater activates at	60°F (15.5°C)					
Heater de activates at	80°F (27°C)					
Blower	Yes (Continuous)					
Effective Projected Area (EPA)	101 in <sup>2</sup>					
IP Rating (Weather Rating)	IP66 / NEMA 4					
Maximum Windload	150mph (240kph)					
CERTIFICATIONS / RATINGS						
CE	CUL	NEMA Rating	RoHS	UL Listed	WEEE	REACH



### MCL (Maximum Camera length)



Dimensions are in inches (mm)

<http://panasonic.com/security>

Panasonic System Networks Company of America

Surveillance, Monitoring and Video Imaging

Panasonic Service -Heartland Services  
1615 Dundee Ave  
Dock G  
Elgin, IL 60120  
(847) 888-7000

Design and specifications subject to change without notice.

05202013